



DIN Standard 2PC Ball Valve

CENTROFLOW DIN Standard 2PC Ball Valve are designed for applications of food and beverage, chemical, pharmacy manufacturing ,water treatment etc. 2PC Ball valves are simple to repair and replace, long lasting, and highly effective. Because of these advantages you will find where there's pipe, there's 2 PC ball valve controlling the flow use in these medium. They come in many different configurations and sizes and may be manual, mechanical, pneumatic or electric actuated ball valves. Conclusion — Who Makes Quality 2 PC DIN standard Ball Valves? Find professional manufacturer Centroflow and contact for detail.

Product Description

CENTROFLOW DIN Standard 2PC ball valve designed as full bore, is the type of valve that simple to repair and replace, long lasting, and highly effective. makes this 2PCball valve product start from the pattern moulding to casting to CNC machining, each process well controlled and managed to ensure the quality and cost efficiency. Material available SS316 SS304 SS316L SS304L alloy steel with TUV AD2000. BV certificated.

CENTROFLOW DIN Standard 2PC Ball Valve Features

Full bore, 1/2"~10" (DN15~DN250)

W. P.:PN16/40

W. T.: -20℃ ~200℃ (-4℉~392℉)

Investment casting

Blow-out proof stem

Anti-static device (option)

ISO 5211 Mounting pad

Flange dimension: DIN 2501

Face to face: DIN 3202 part1 - F4 / F5

Material and Main Parts

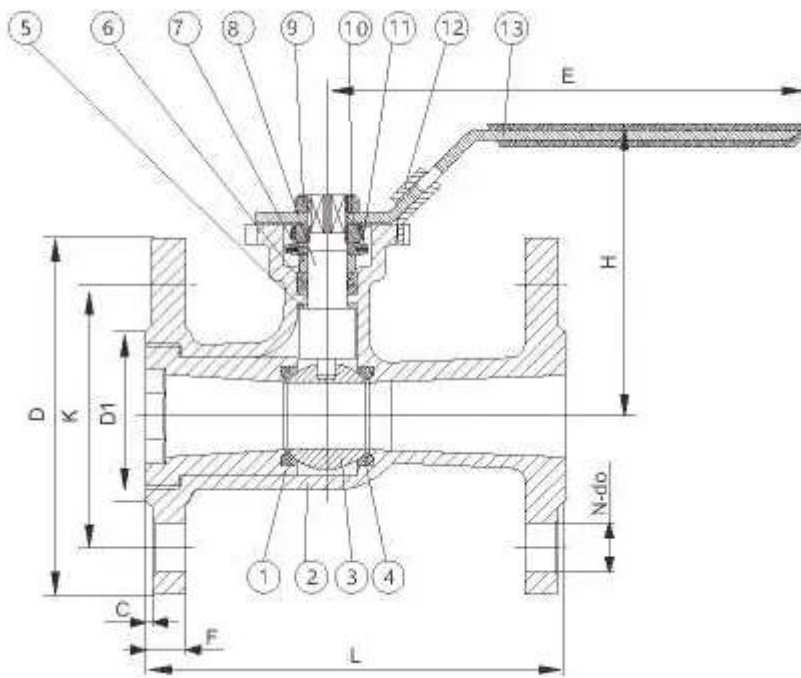
ITEM	PART NAME	MATERIAL
1	BODY	WCB/CF8/CF8M
2	CAP	WCB/CF8/CF8M
3	BALL	SS304/SS316
4	STEM	ASTM A276-316
5	SEAT	PTFE/RPTFE
6	SEAL	PTFE

Zhejiang Centro Flow Control Co., Ltd.

+86-577-85989708

E-mail:centro@centro-flowcontrol.com

7	PACKING	PTFE
8	THRUST WASHER	PTFE
9	CSNAP RING	SS304
10	HANDLE	CAST IRON/SS304
11	STUD	SS304
12	NUT	SS304
13	LOCKING DEVICE	SS304
14	GLAND	SS304



Dimensions

DN	L	H	H1	H2	W	D1	D2	TORQUE (Nm)	WEIGHT (kg)
15	114.5	68	45	33.5	130	42	-	6	2.5
20	124.4	70	48	36	130	42	-	6	3.1
25	126.7	82	53	42	160	42	-	15	4
32	131.2	87	59.5	48	160	42	-	30	5.5
40	141.1	138	96	80.5	200	50	-	30	7.2
50	150.7	147	104.5	89.5	200	70	50	50	11.5

65	170.5	163	125.5	108	328	70	62	80	16.3
80	181.5	173	135.5	117.5	328	102	62	90	21.2
100	190.8	190	151	133.5	328	102	62	120	27.6