



### 3PC High Platform Threaded Ball Valve

CENTRO 3PC High Platform Threaded Ball Valve is designed with ISO5211 for easy installing driving device. The ball valve has simple structure, light weight, easy installation , fast maintenance and various connection ends are suitable to pipe connections. CENTRO professional management team is expecting for your valuable inquiries and co-operation.

## Product Description

CENTRO 3PC High Platform Threaded Ball Valve focus on customer and market's demands, quick delivery available, accept sample ordering for testing requirements. Its top quality and reasonable price get share of the market as well as confidence .

The products strictly conform to NPT / BSPT / BSP / DIN2999

Material available: SS316 SS304 SS304L 33316L, WCB

Suitable Mediums: Chemical, Water, Oil and Gas products etc

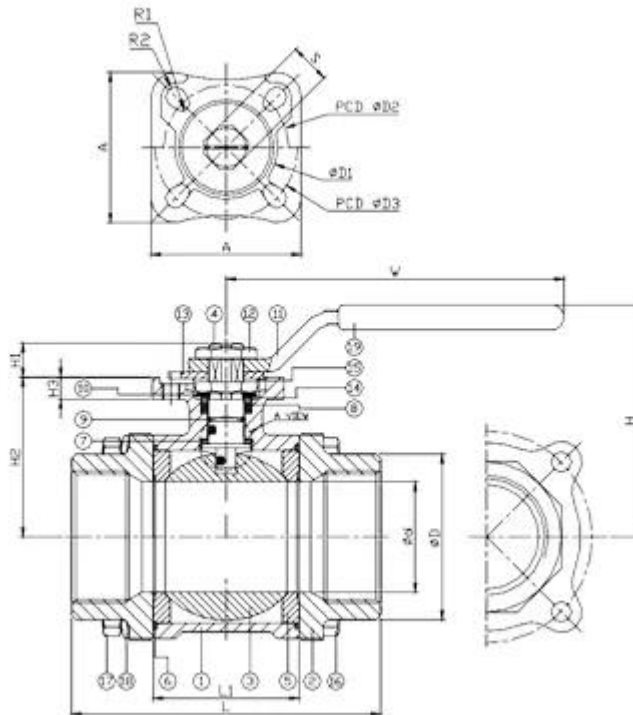
### CENTRO 3PC High Platform Threaded Ball Valve Features:

- Full port, 1/4"~4" (DN8~DN100)
- W.P. : 1000 WOG (PN63)
- W.T. : -20°C~200°C (-4°F~392°F)
- Investment casting
- Blow-out proof stem
- Anti-static device (option)
- Threaded ends conform to  
NPT / BSPT / BSP / DIN2999



ITEM	PARTS	MATERIAL	
1	BODY	ASTM A351-CF8M 1.4408	ASTM A216-WCB 1.0619
2	CAP		
3	BALL	ASTM A351-CF8M	
4	STEM	ASTM A276-316	
5	SEAT	PTFE / RTFE	
6	GASKET	PTFE	
7	THRUST WASHER	PTFE	
8	PACKING	PTFE	
9	O-RING	VITON	
10	DISC SPRING	SS 301	
11	HANDLE	STAINLESS STEEL	
12	STEM NUT	AISI 304	
13	STOPPER		
14	GLAND RING		
15	LOCK DEVICE		
16	BOLT		

17	NUT	
18	SPRING WASHER	
19	HANDLE SLEEVE	PVC



### Parameter (Specification)

DN	d	D	L	L1	H	H1	H2	H3	W	S	A	D1	D2	D3	R1	R2	ISO 5211
8	8	21	55	23	63	8	40.3	6.5	120	9	42	31	36	42	2.75	2.75	F03/F04
10	10	21	60	23	63	8	40.3	6.5	120	9	42	31	36	42	2.75	2.75	F03/F04
15	15	28	75	23	63	8	40.3	6.5	120	9	42	31	36	42	2.75	2.75	F03/F04
20	20	35	80	28	69	9	45	6.5	120	9	42	31	36	42	2.75	2.75	F03/F04
25	25	42	90	35	76	10	47.5	7.5	148	11	50	35.5	42	50	2.75	3.5	F04/F05
32	32	52	110	44.8	84	11	55.5	7.5	148	11	50	35.5	42	50	2.75	3.5	F04/F05
40	38	59	120	54.5	99	12	65.3	9	178	14	70	56	50	70	3.5	4.5	F05/F07
50	50	72	140	66	108	12	73	9	178	14	70	56	50	70	3.5	4.5	F05/F07