



1PC Thin Wafer Ball Valve

CENTROFLOW Made Flanged Wafer Type Stainless Steel 1PC Thin Wafer Ball Valve is a quarter turn and full bore valves. Compare with ordinary flanged ball valves, the wafer ball valve has the remarkable advantage of short structure length, light weight, convenient installation and material saving. Products are widely applied for flow control system. More detail please just contact us, CentroFlow working team honored to receive your further valuable co-operation.

Product Description

CENTROFLOW Manufactured Flange end 1PC Thin Wafer Ball Valve enjoys a good reputation in the market. Material test, whole process ERP control and operation standardization makes our products meet most critical requirement. Sizes ranging from 1/2" to 6" with ASME Class 150/300 flanges. CentroFlow makes this flanged wafer thin ball valve product start from the pattern moulding to casting to CNC machining, each process well controlled and managed to ensure the quality and cost efficiency. Material available SS316 SS304 SS316L SS304L alloy steel with TUV AD2000. BV certificated.

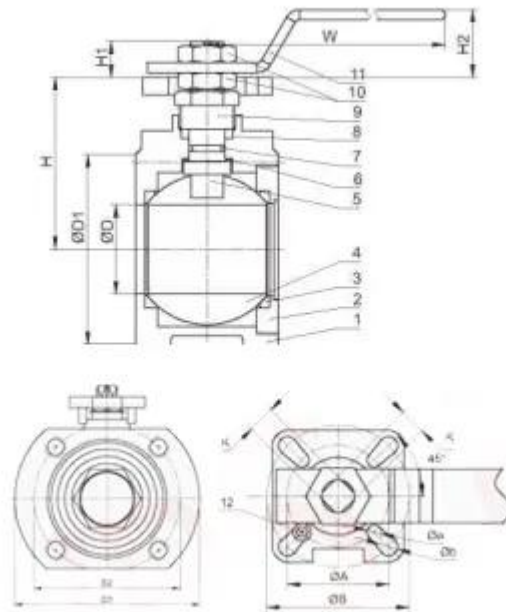
CENTROFLOW 1PC Thin Wafer Ball Valve Features

- Size Range: 1/2" – 6"
- CF8M and WCB Bodies/316SS Trim
- Fire Safe Design Approved
- ISO 5211(option)
- Anti-Static Devices for Ball-Stem-Body
- Blow-out Proof Stem
- Design: ASME B16.34, API 608
- Wall Thickness:ASME B16.34 EN12516-3
- Flange: ASME B16.5
- Inspection and Testing: API 598 EN12266
- W.T: -20 Deg C to 120 Degree
- W.T: -20 Deg C to 120 Degree

Material and Main Parts

NO.	PART NAME	MATERIAL
1	BODY	SS/SUS304
2	CAP	SS/SUS304
3	SEAT	PTFE

4	BALL	SS304/SS316
5	STEM	SS304/SS316
6	GASKET	PTFE
7	O-RING	VITON
8	PACKING	PTFE
9	GLAND	SS/SUS304
10	STEM NUT	SS/SUS304
11	HANDLE	SS
12	STOP PIN	SS/SUS304



Dimensions

NPS	L	D	H	H1	DI	D2	D3	N-M	T	F	OA	OB	0a	0b	K	W	H2
1/2"	35	14	55	8	45	60.5	88	4-M12	9	2	36	42	6	6	9	112	30
3/4"	38	20	60	8	57	70	98	4-M12	11	2	36	42	6	6	9	112	30
1"	45	24	67	10	6	80	112	4-M12	14	2	42	50	6	7	11	135	35
1 1/4"	50	28	80	10	77	89	127	4-M16	15	2	42	50	6	7	11	135	35
1 1/2"	60	36	85	14	90	100	144	4-M16	18	2	50	70	7	9	14	180	40

2"	70	46	87	14	102	120.5	161	4-M16	20	2	50	70	7	9	14	180	40
2 1/2"	95	56	103	17	125	139.5	188	4-M16	17	2	70	102	9	1	17	280	55
3"	118	71	121	17	140	152.5	197	8-M16	20	2	70	102	9	11	17	280	55
4"	140	91	130	17	160	190.5	218	8-M16	20	2	70	102	9	1	17	280	55
5"	200	108	117	50	188	216	250	8-M16	22	3	-	125	-	14	27	400	-
6"	225	145	130	50	212	241.5	285	8-M20	22	3	-	125	-	14	27	600	-