



1PC Stainless Steel Flanged Ball Valve

CENTROFLOW 1PC Stainless Steel Flanged Ball Valve designed fully conform to ANSI, DIN, JIS, BS...with a quarter turn and reduced bore, is a valve where the bore size smaller than the internal diameter of pipework. Telling that the opening of the reduced bore is less than full bore ball valves, the smaller opening results in an increase flow which difference from the full bore type. For more detail please just feel free to contact us, CentroFlow working team honored to receive your further inquiries.

Product Description

CENTROFLOW 1PC Stainless Steel Flanged Ball Valve is a one piece, reduced port, flanged end ball valve. Sizes ranging from ½" to 6" with ASME Class 150/300 flanges. CentroFlow makes this one piece ball valve product start from the pattern moulding to casting to CNC machining, each process well controlled and managed to ensure the quality and cost efficiency. Material available SS316 SS304 SS316L SS304L alloy steel with TUV AD2000. BV certificated.

CENTROFLOW 1PC Stainless Steel Flanged Ball Valve Features

Size Range: ½" – 6"

CF8M and WCB Bodies/316SS Trim

Fire Safe Design Approved

ISO 5211(option)

Anti-Static Devices for Ball-Stem-Body

Blow-out Proof Stem

Design: ASME B16.34, API 608

Flange: ASME B16.5

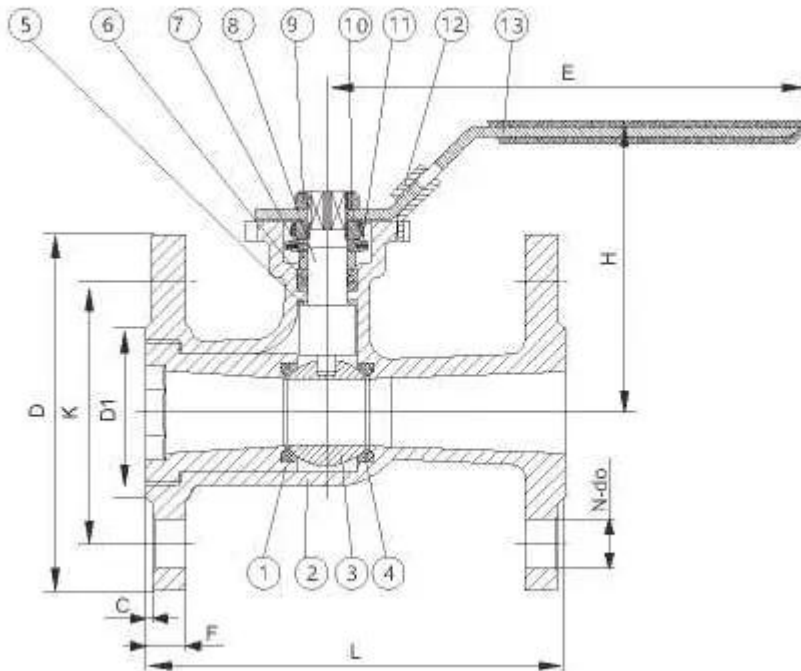
Inspection and Testing: API 598

W.T: -20 Deg C to 120 Degree



Material and Main Parts

NO.	PART NAME	MATERIAL
1	BONNET	WCB/CF8/CF8M
2	BODY	WCB/CF8/CF8M
3	BALL	SS304/SS316
4	SEAT	PTFE
5	STEM PACKING	PTFE
6	VHPE PACKING	PTFE
7	JUNK RING	SS304
8	STEM	SS304/SS316
9	STEM NUT	SS304
10	NUT LOOSEN COVER	SS304
11	ELASTIC RING GASKET	SS304
12	Handle Lock	SS304
13	HANDLE	SS304



Dimensions

DN	L		DI		K		D		H		E		C	F	N-do	ISO	5211
	Normal	High	Normal	High	Normal	High	Normal	High	Normal	High	Normal	High					
15	108	92	35	46	60.5	65	89	95	66	65	145	125	14	2	4-14	F03	F04
20	117	105	43	56	70	75	98	105	69	75	145	135	14	2	4-14	F03	F05
25	127	110	51	65	79.5	85	108	115	91	87	166	135	15	2	4-14	F04	F05
32	140	125	64	76	89	100	117	140	97	90	166	147	16	3	4-18	F04	F07
40	165	135	73	85	98.5	110	127	150	123	95	206	180	18	3	4-18	F05	F07
50	178	155	92	100	120.5	125	152	165	130	110	206	180	18	3	4-18	F05	F07
65	190	170	105	118	139.5	145	178	185	143	120	240	200	21	3	4-18	F07	F10
80	203	200	127	132	152.5	160	190	200	176	130	240	200	24	3	8-18	F07	F10
100	229	230	157	156	190.5	190	229	235	192	150	240	240	24	3	8-18	F10L	F10